

1

2

3

4

REVISIONS			
REV	DESCRIPTION	DATE	APPROVED
A	INITIAL RELEASE PER ECO 20-26733	07/09/20	K.DUBROWN

A

A

B

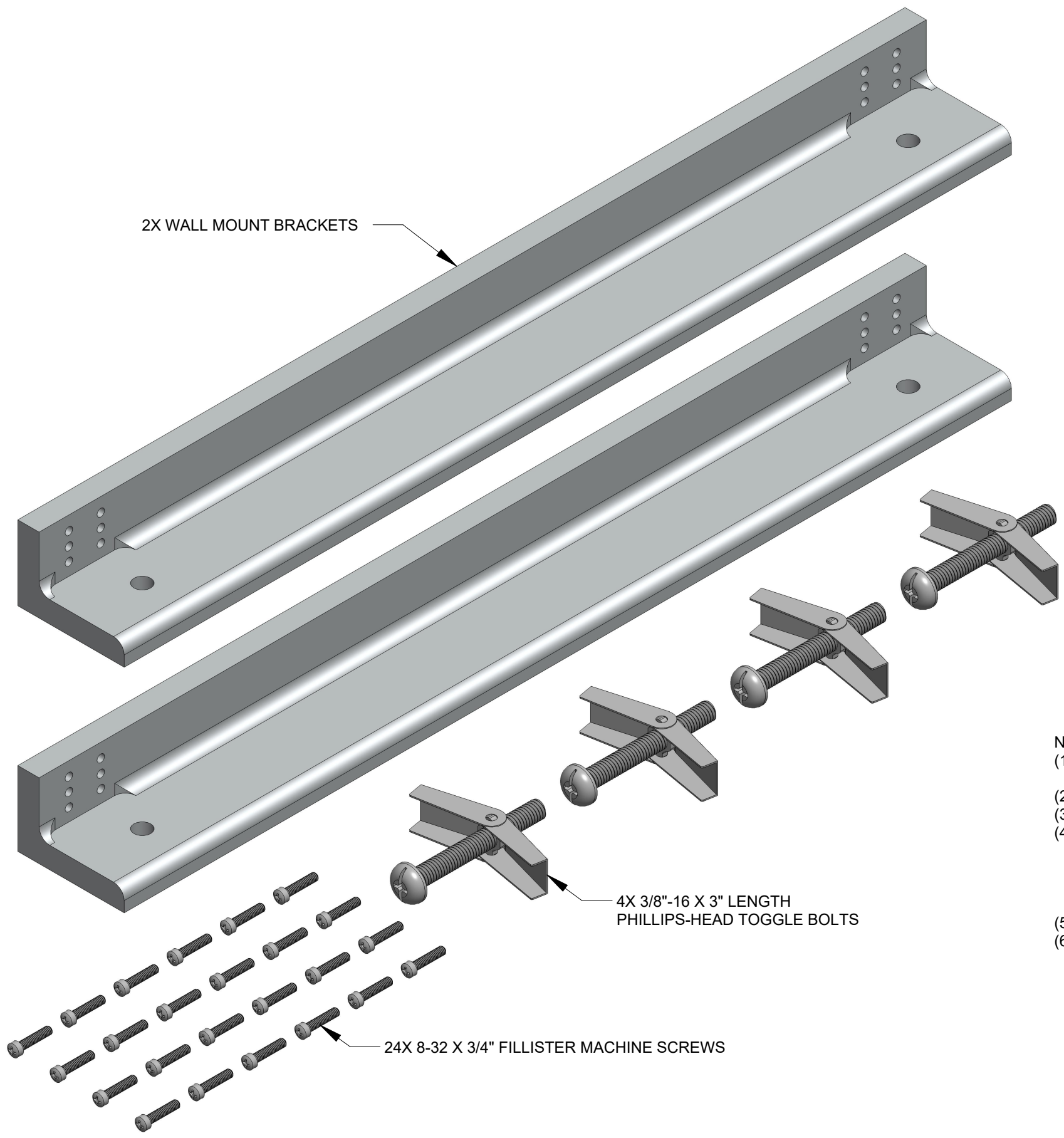
B

C

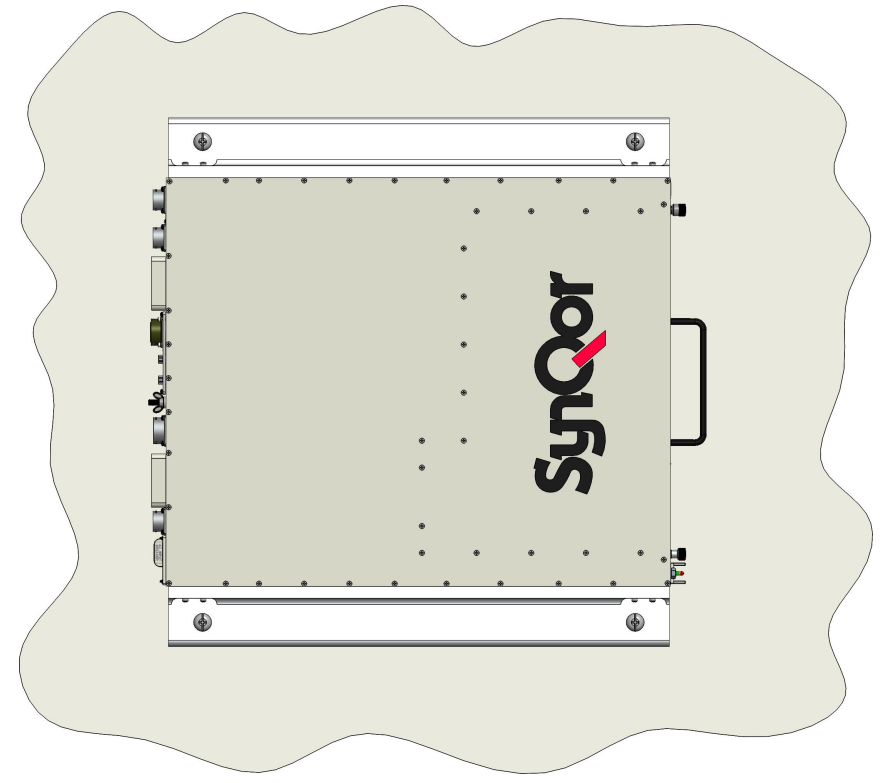
C

D

D



APPLICATION REFERENCE VIEW OF
SYNQOR 1U UPS ATTACHED TO SHEETROCK WALL
(HORIZONTAL ORIENTATION)



SCALE 0.125

NOTES:

- (1) KIT IS DESIGNED TO MOUNT A 1U SYNQOR UPS ONTO A HOLLOW WALL CONSTRUCTED WITH 1/2" THICK SHEETROCK.
- (2) INSTALLATION INSTRUCTIONS FOR APPLICATION ARE INCLUDED ON SUBSEQUENT SHEETS.
- (3) WALL PREPARATION INSTRUCTIONS ARE INCLUDED ON SHEET 3.
- (4) KIT INCLUDES THE FOLLOWING MATERIAL:
 2X WALL MOUNT BRACKET FOR 1U UPS SYSTEM
 24X 8-32 X 3/4" LENGTH PHILLIPS FILLISTER HEAD MACHINE SCREWS, 18-8 SS
 4X 3/8"-16 X 3" LENGTH PHILLIPS-HEAD TOGGLE BOLT, 3-PIECE, 60LB CAPACITY IN 1/2" SHEETROCK
- (5) FABRICATION DRAWING FOR BRACKET IS INCLUDED FOR REFERENCE ON SHEET 6.
- (6) WEIGHT OF KIT: 7 LBS

TOLERANCES: Unless otherwise specified: All dimensions in inches .X +/- .025 .XX +/- .010 .XXX +/- .005 Angles +/- 1°					155 Swanson Road Boxborough, MA 01719-1316	
	WALL MOUNT ACCESSORY KIT FOR 1U 19" RACK-MOUNT SYSTEM				SOURCE: PRO/E SYN-9059	
THIS DRAWING IS THE PROPERTY OF SYNQOR LLC. It is not to be reproduced or copied, in whole or in part, or used for furnishing information to others, or for any purpose detrimental to the interests of SynQor. The information shown herein may be protected by patents owned or controlled by SynQor.		SIZE B	DATE JUL-09-20	DWG. NO. SYN-9059	REV A	
SCALE: 0.500		DRAWN: KJD	CHECK:	SHEET 1 of 6		

1

2

3

4

ATTACH SIDE MOUNT BRACKETS
TO 1U SYNQOR SYSTEM PRODUCT:

A

B

C

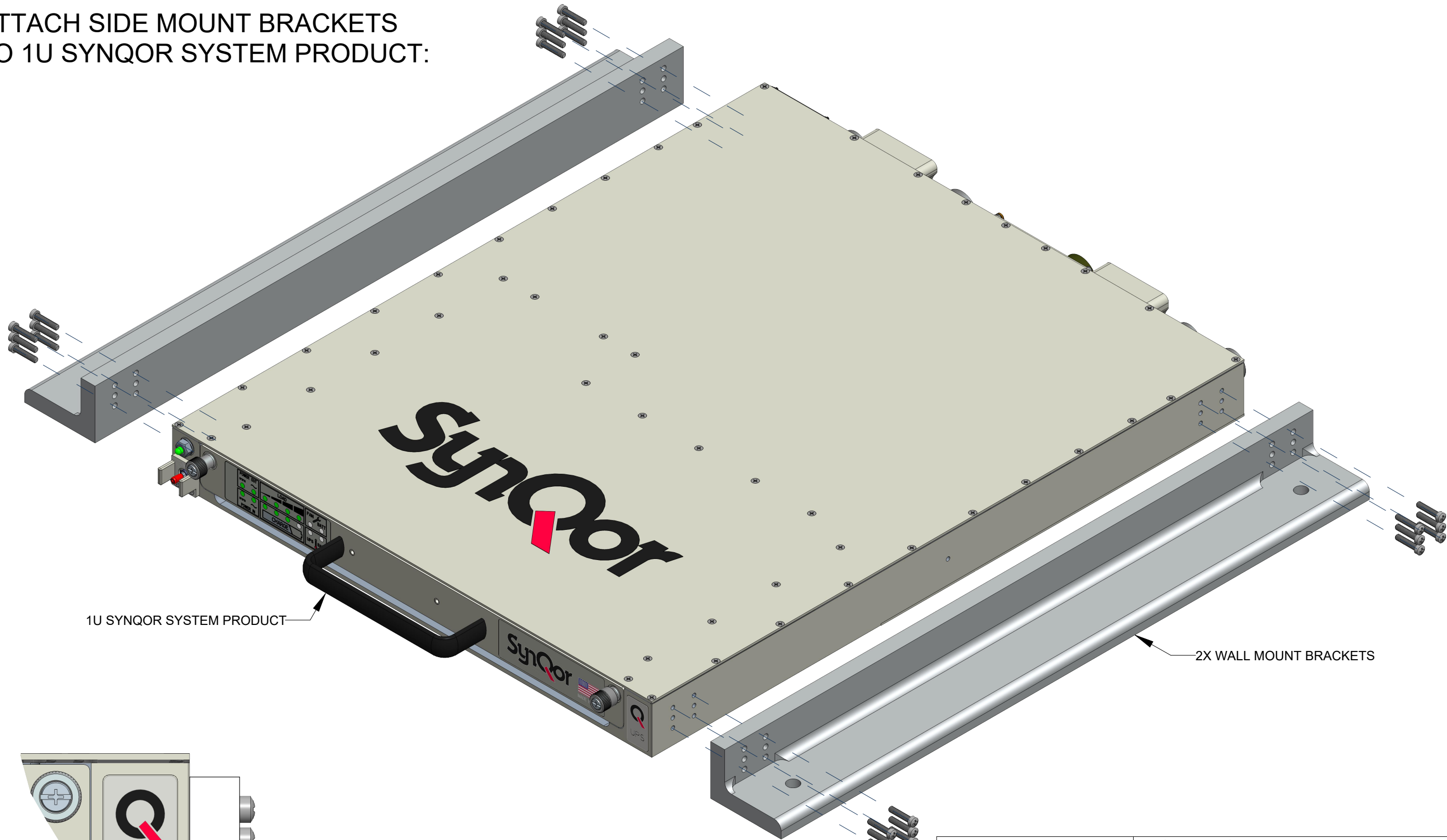
D

A

B

C

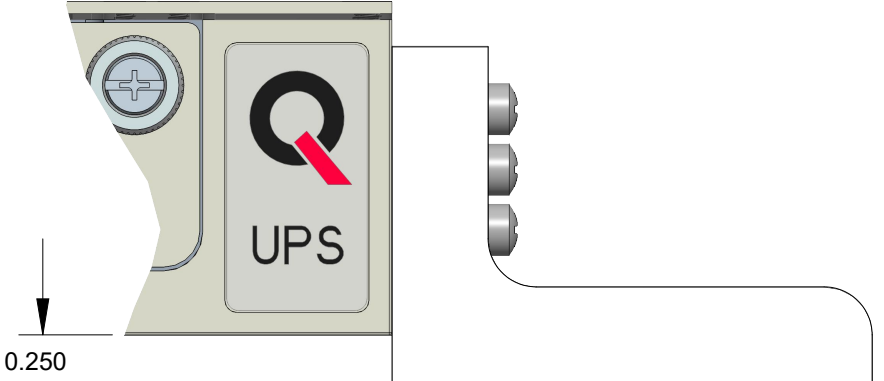
D



1U SYNQOR SYSTEM PRODUCT

2X WALL MOUNT BRACKETS

24X 8-32 X 3/4" FILLISTER MACHINE SCREWS



0.250

SCALE 1.000

TOLERANCES:
Unless otherwise specified:
All dimensions in inches
.X +/- .025
.XX +/- .010
.XXX +/- .005
Angles +/- 1°

Third Angle Projection

THIS DRAWING IS THE PROPERTY OF SYNQOR LLC.
It is not to be reproduced or copied, in whole
or in part, or used for furnishing information
to others, or for any purpose detrimental to the
interests of SynQor. The information shown herein
may be protected by patents owned or controlled by SynQor.

		155 Swanson Road Boxborough, MA 01719-1316	
WALL MOUNT ACCESSORY KIT FOR 1U 19" RACK-MOUNT SYSTEM			
SOURCE: PRO/E SYN-9059			
SIZE	DATE	DWG. NO.	REV
B	JUL-09-20	SYN-9059	A
SCALE: 0.400	DRAWN: KJD	CHECK:	SHEET 2 of 6

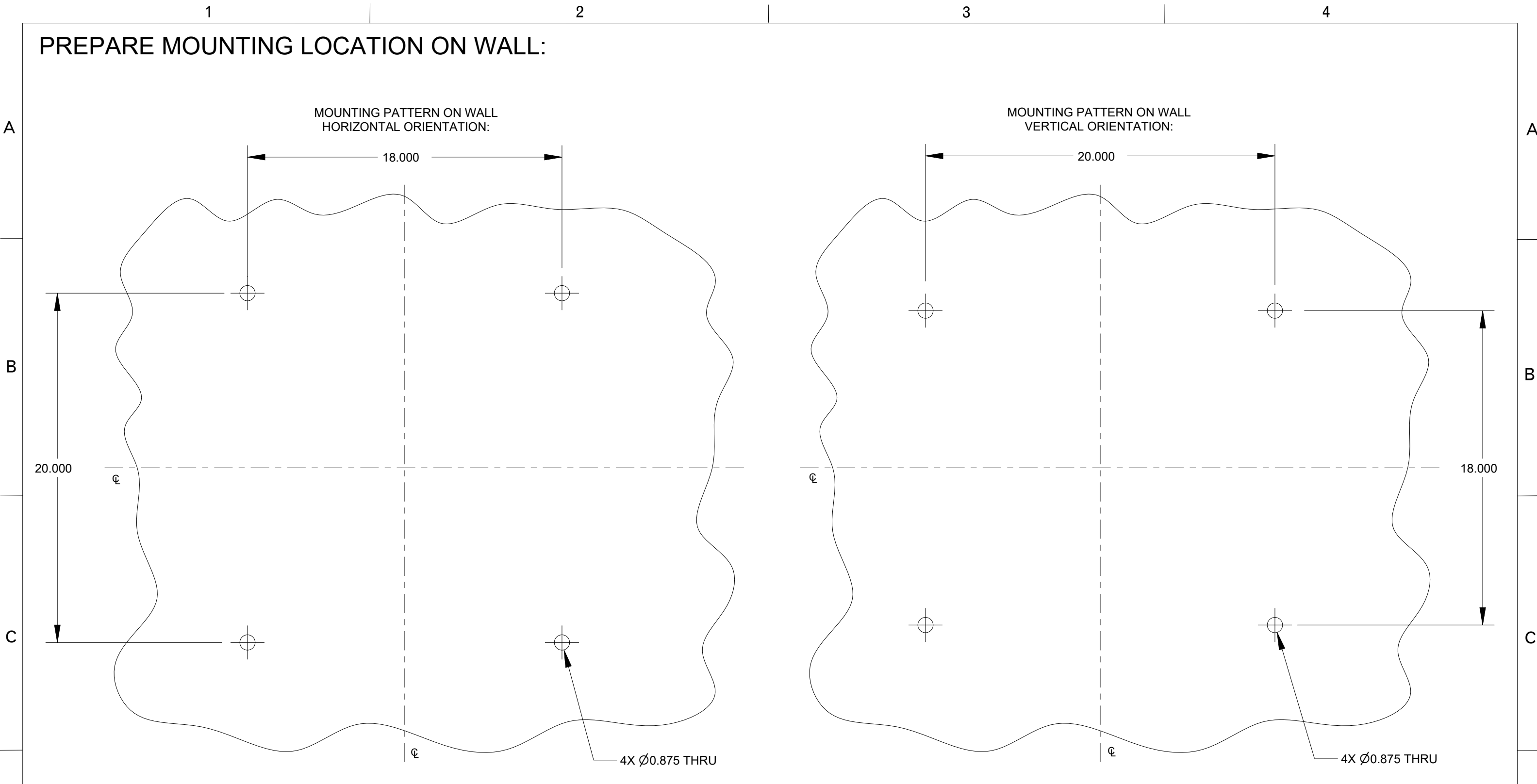
1

2

3

4

PREPARE MOUNTING LOCATION ON WALL:



- NOTES:
- (1) HOLE PATTERN MUST BE LOCATED ON HOLLOW WALL CONSTRUCTED WITH 1/2" THICK SHEETROCK. PLACEMENT MUST ENSURE THAT NONE OF THE HOLES ARE WITHIN 2 INCHES OF ANY WALL STUD.
 - (2) HORIZONTAL ORIENTATION IS RECOMMENDED TO ALLOW SOME VISIBILITY OF BATTERY PACK STATUS LEDS FROM BELOW, WHILE NOT MAKING CABLE MANAGEMENT A CHALLENGE. HORIZONTAL ORIENTATION IS ILLUSTRATED ON SHEET 1 ZONE B4.

TOLERANCES:
 Unless otherwise specified:
 All dimensions in inches
 .X +/- .025
 .XX +/- .010
 .XXX +/- .005
 Angles +/- 1°

Third Angle Projection

THIS DRAWING IS THE PROPERTY OF SYNQOR LLC. It is not to be reproduced or copied, in whole or in part, or used for furnishing information to others, or for any purpose detrimental to the interests of SynQor. The information shown herein may be protected by patents owned or controlled by SynQor.

SynQor 155 Swanson Road
 Boxborough, MA 01719-1316

**WALL MOUNT ACCESSORY KIT
 FOR 1U 19" RACK-MOUNT SYSTEM**

SOURCE: PRO/E SYN-9059

SIZE	DATE	DWG. NO.	REV
B	JUL-09-20	SYN-9059	A
SCALE: 0.1875	DRAWN: KJD	CHECK:	SHEET 3 of 6

INSTALL TOGGLE BOLTS THROUGH ATTACHED MOUNTING BRACKETS:

A

B

C

D

A

B

C

D

1

2

3

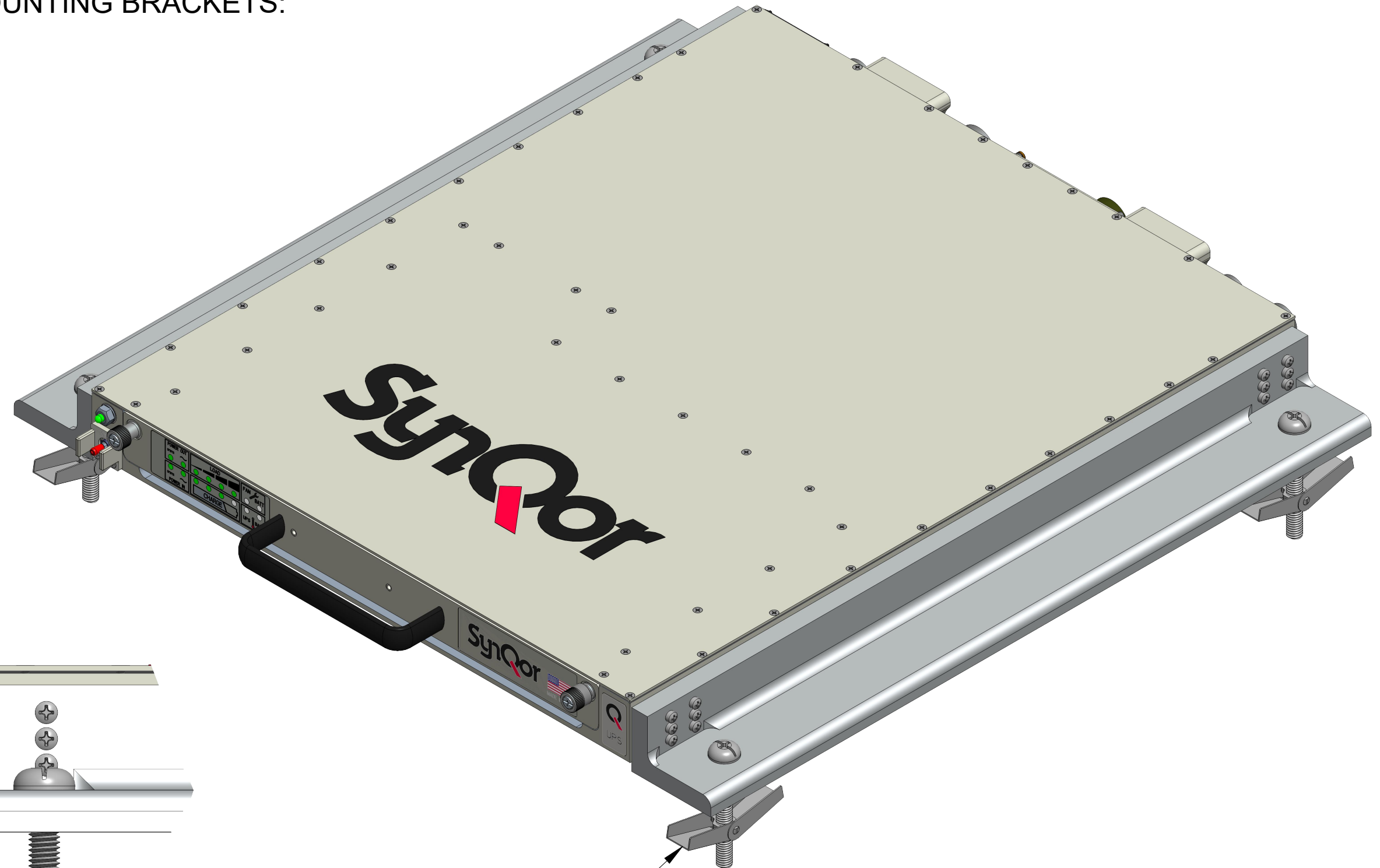
4

1

2

3

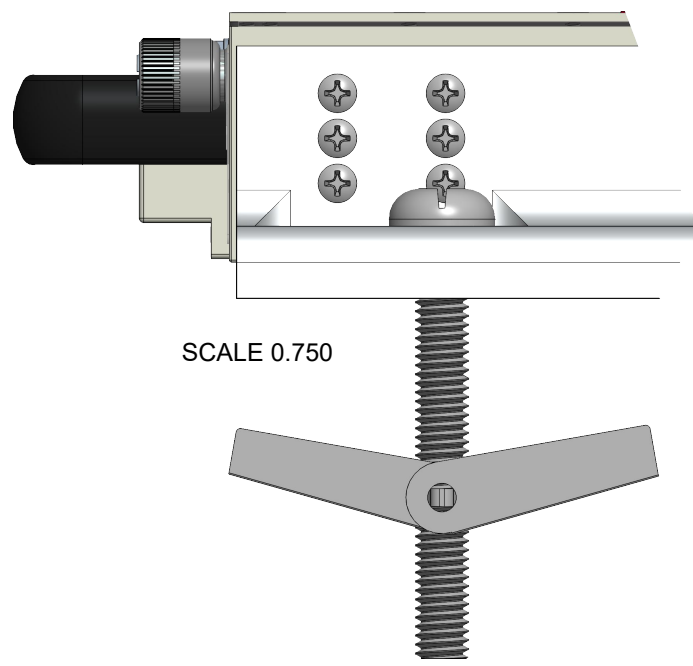
4



SynQor

SynQor

UPS



SCALE 0.750

4X ASSEMBLE 3/8"-16 TOGGLE BOLTS THROUGH MOUNTING BRACKETS AS SHOWN

TOLERANCES:
 Unless otherwise specified:
 All dimensions in inches
 .X +/- .025
 .XX +/- .010
 .XXX +/- .005
 Angles +/- 1°

Third Angle Projection

THIS DRAWING IS THE PROPERTY OF SYNQOR LLC. It is not to be reproduced or copied, in whole or in part, or used for furnishing information to others, or for any purpose detrimental to the interests of SynQor. The information shown herein may be protected by patents owned or controlled by SynQor.

		155 Swanson Road Boxborough, MA 01719-1316	
WALL MOUNT ACCESSORY KIT FOR 1U 19" RACK-MOUNT SYSTEM			
SOURCE: PRO/E SYN-9059			
SIZE	DATE	DWG. NO.	REV
B	JUL-09-20	SYN-9059	A
SCALE: 0.400		DRAWN: KJD	CHECK:
		SHEET 4 of 6	

MOUNT SYNQOR SYSTEM PRODUCT AND BRACKETS ONTO WALL:

A

B

C

D

A

B

C

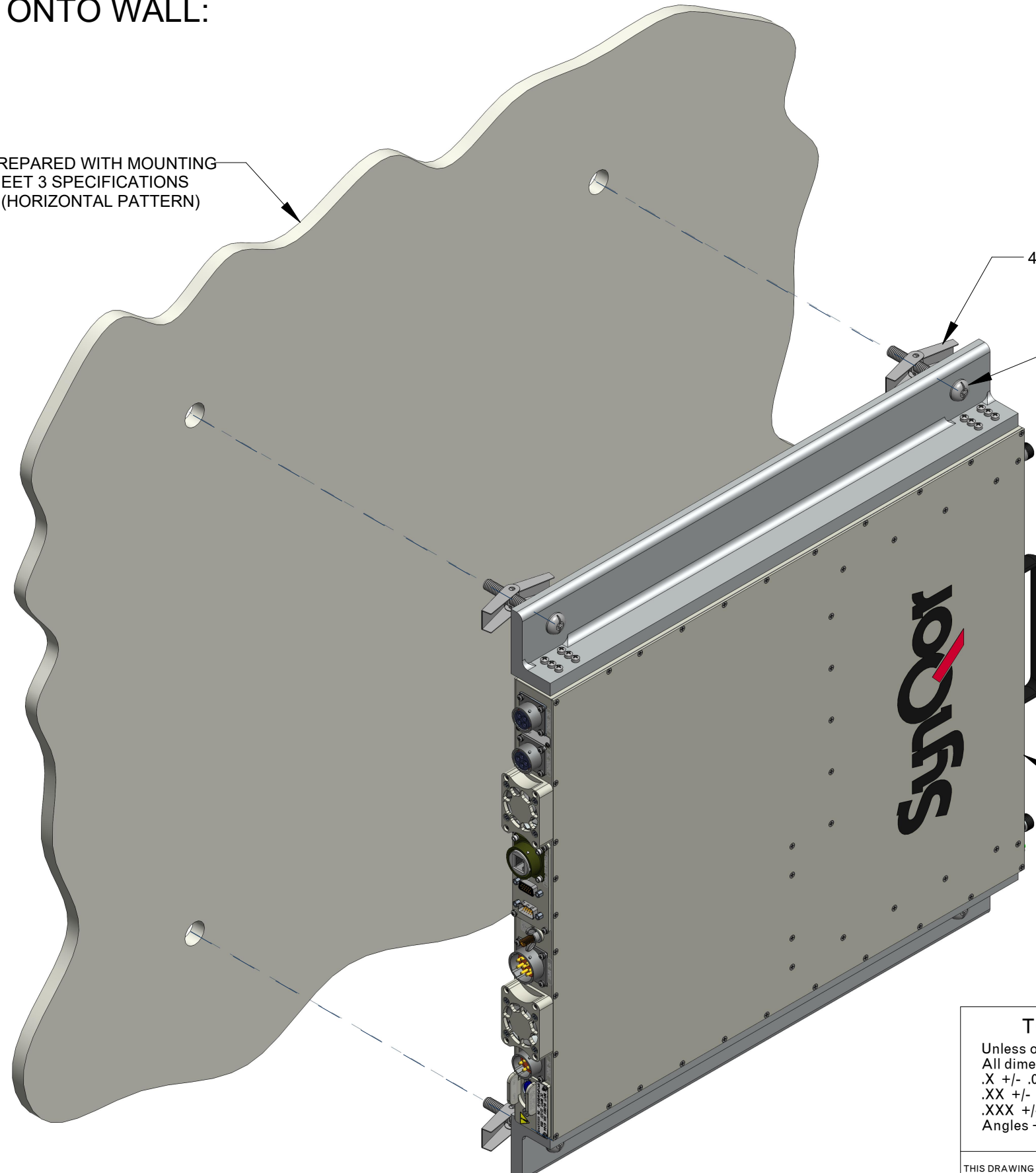
D

SHEETROCK WALL PREPARED WITH MOUNTING HOLES PER SHEET 3 SPECIFICATIONS (HORIZONTAL PATTERN)

4X INSERT TOGGLE BOLTS THRU PREPARED HOLES IN WALL

4X TIGHTEN TOGGLE BOLTS UNTIL PRODUCT IS SECURED TO WALL

1U SYNQOR SYSTEM PRODUCT WITH WALL MOUNTING BRACKETS (SHOWN BEING INSTALLED IN HORIZONTAL ORIENTATION)



TOLERANCES:
 Unless otherwise specified:
 All dimensions in inches
 .X +/- .025
 .XX +/- .010
 .XXX +/- .005
 Angles +/- 1°

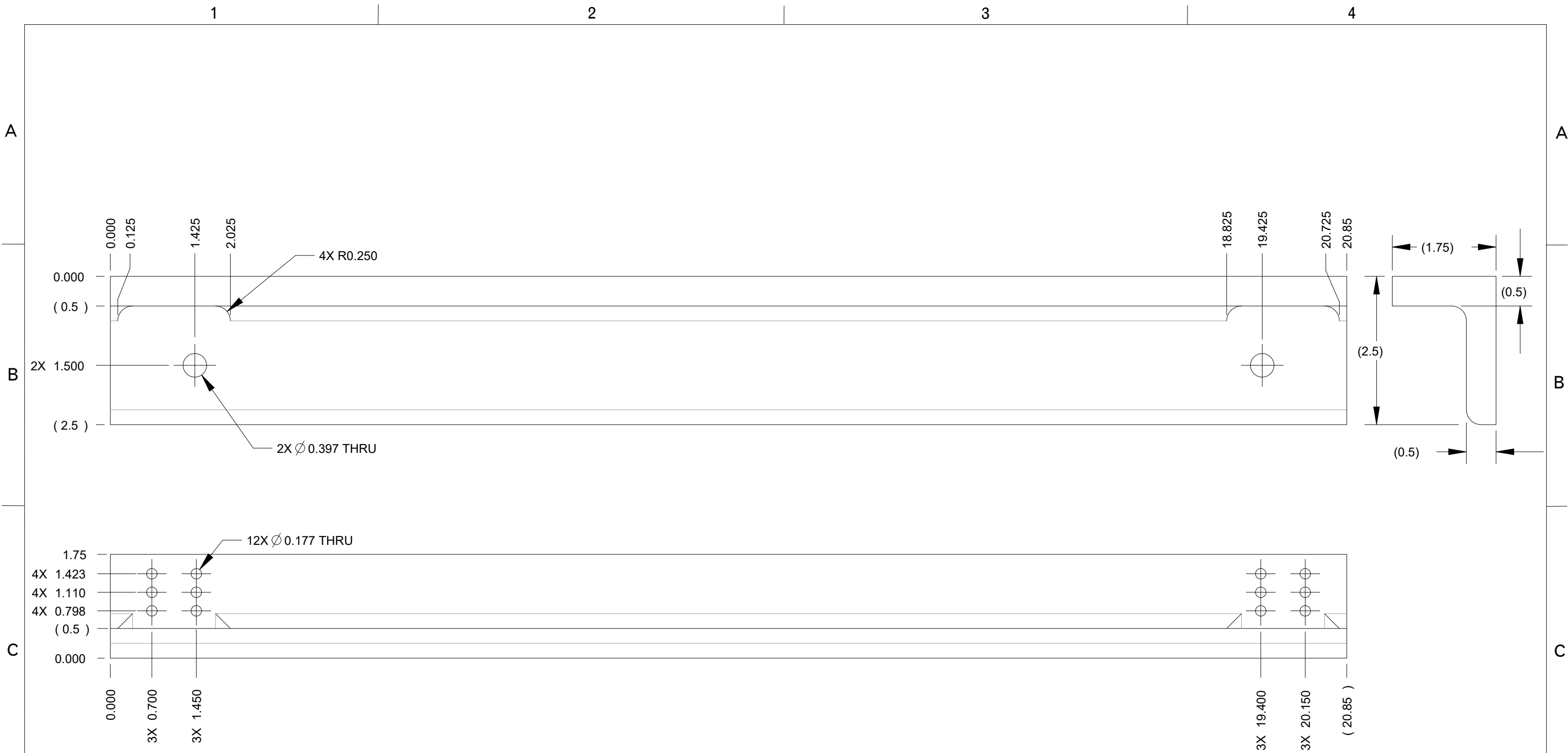
Third Angle Projection

THIS DRAWING IS THE PROPERTY OF SYNQOR LLC. It is not to be reproduced or copied, in whole or in part, or used for furnishing information to others, or for any purpose detrimental to the interests of SynQor. The information shown herein may be protected by patents owned or controlled by SynQor.

		155 Swanson Road Boxborough, MA 01719-1316	
WALL MOUNT ACCESSORY KIT FOR 1U 19" RACK-MOUNT SYSTEM			
SOURCE: PRO/E SYN-9059			
SIZE	DATE	DWG. NO.	REV
B	JUL-09-20	SYN-9059	A
SCALE: 0.250	DRAWN: KJD	CHECK:	SHEET 5 of 6

1 2 3 4

1 2 3 4



NOTES:
 1. MATERIAL: ALUMINUM 6061 90° ANGLE STOCK WITH ROUND EDGE, 2.5 IN X 2.5 IN OUTSIDE HEIGHT
 2. FINISH: BREAK ALL SHARP EDGES. PART IS TO BE FREE OF DIRT AND OIL. STOCK FINISH IS PERMISSIBLE ON ALL SURFACES. SAW-CUT FINISH IS PERMISSIBLE ON END.

TOLERANCES:
 Unless otherwise specified:
 All dimensions in inches
 .X +/- .025
 .XX +/- .010
 .XXX +/- .005
 Angles +/- 1°

Third Angle Projection

THIS DRAWING IS THE PROPERTY OF SYNQOR LLC. It is not to be reproduced or copied, in whole or in part, or used for furnishing information to others, or for any purpose detrimental to the interests of SynQor. The information shown herein may be protected by patents owned or controlled by SynQor.

SynQor 155 Swanson Road
 Boxborough, MA 01719-1316

**WALL MOUNT ACCESSORY KIT
 FOR 1U 19" RACK-MOUNT SYSTEM**

SOURCE: PRO/E SYN-9059

SIZE B	DATE JUL-09-20	DWG. NO. SYN-9059	REV A
SCALE: 0.250	DRAWN: KJD	CHECK:	SHEET 6 of 6